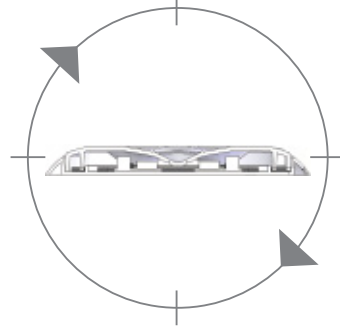


MEGALUX (PDI)

- High output CREE LEDs
- Very low profile design
- 85% less energy than halogen
- 90 000 hours life
- Waterproof to IP66

Internal View



|| See technical specs overleaf >>>

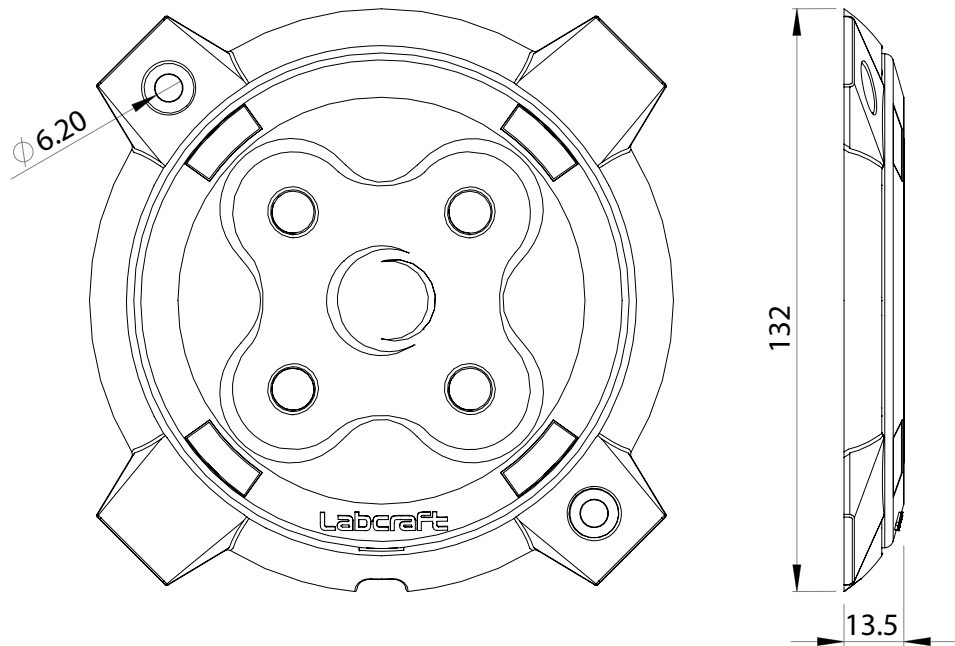
REV 0



MEGALUX (PDI)



- High output CREE LEDs - LED technology produces a clean white light and creates a safe working environment.
- Very low profile design - At just 14mm deep, this light can be fitted in a multitude of applications.
- 85% less energy than halogen - The Megalux uses only 10W of power to produce 850 lumens, providing a bright light for longer.
- 90 000 hours life - Designed to manage heat effectively and last more than 90 times longer than halogen bulbs, the Megalux saves money and improves safety.
- Waterproof to IP66 - The unit is completely sealed and protected, making it suitable for tough working conditions.



Specification

ALL DIMENSIONS HAVE A TOLERANCE OF +/- 1mm

MEGALUX (PDI)

		PDI_4-1 MV	PDI_4-3 MV
Voltage Range	VDC	10-32V	10-32V
Average Current	A	0.42	0.84
Light Output	lm	488	850
LED Power	W	4 x 1.25W	4 X 2.5W
Weight	kg	0.15	0.15
Temp. Range	°C	-30 to +40	-30 to +40

REV 0

E & OE